

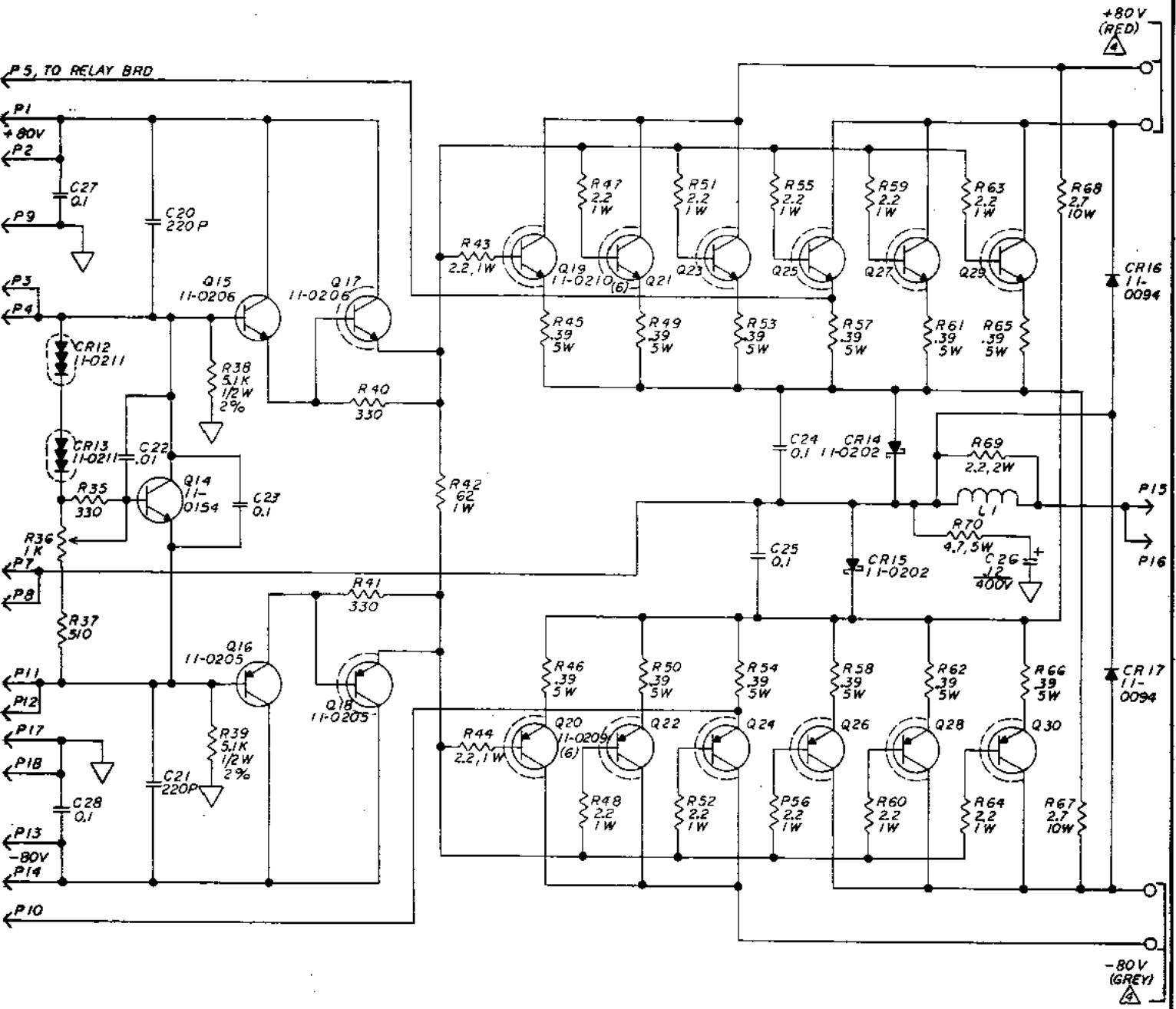
6. VOLTAGES ARE $\pm 10\%$ AT 120 VAC LINE VOLTAGE.
 5. SCHEMATIC SHOWS "CH A" ONLY, "CH B" IDENTICAL.

4. OUTPUT TRANSISTORS Q19-Q30 ARE CONNECTED IN GROUPS OF THREE DIRECTLY TO APPROPRIATE POWER SUPPLY CAPACITORS VIA "14 GA HARDWIRE BUSSING".

3. MF = METAL FILM RESISTOR,
 2. CAPACITOR VALUES IN MICROFARADS,
 1. RESISTOR VALUES IN OHMS, 1/4W, 5%.

NOTES UNLESS OTHERWISE SPECIFIED.

REVISIONS				
ZONE	REV.	DESCRIPTION	DATE	APPROVED
	A	REDRAWN	7-4-81	



QTY	PCB NO.	PART OR IDENTIFYING NO.	NOMENCLATURE OR DESCRIPTION	MATERIAL SPECIFICATION
PARTS LIST				
UNLESS OTHERWISE SPECIFIED DIMENSIONS ARE IN INCHES TOLERANCES ARE: FRACTIONS DECIMALS ANGLES ± .005 ± .001 ±			CONTRACT NO.	
MATERIAL			APPROVALS	DATE
FINISH			DRAWN <i>JV</i>	7-4-81
NEXT ASSY			CHECKED <i>DM</i>	7-15-81
USED ON			ISSUED <i>H. Mose</i>	7-15-81
APPLICATION			SIZE PCB NO.	DWG. NO.
DO NOT SCALE DRAWING			D	
			SCALE	REV. A

**SCHEMATIC,
GAIN AND OUTPUT MODULE**

SAE SCIENTIFIC AUDIO ELECTRONICS, INC.
701 E. MADY ST. LOS ANGELES, CALIF. 90005

SHEET 1 OF 2